

Product code: RS105 FORP PE

# Climbing frame RAINBOW



2 y



1 m



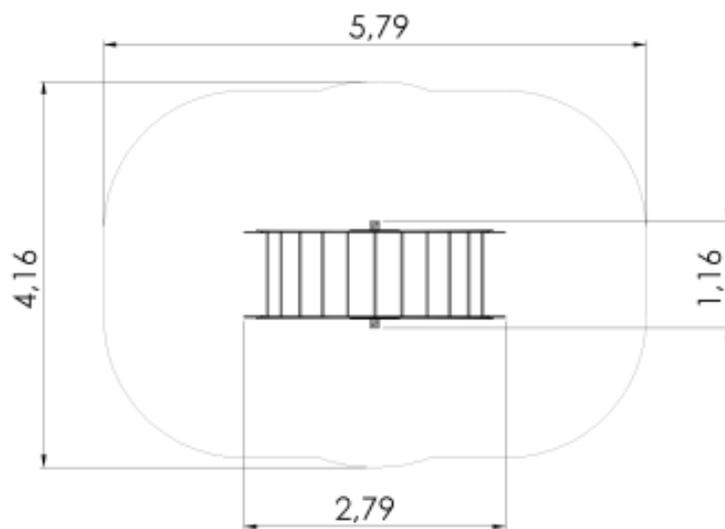
1.16 m



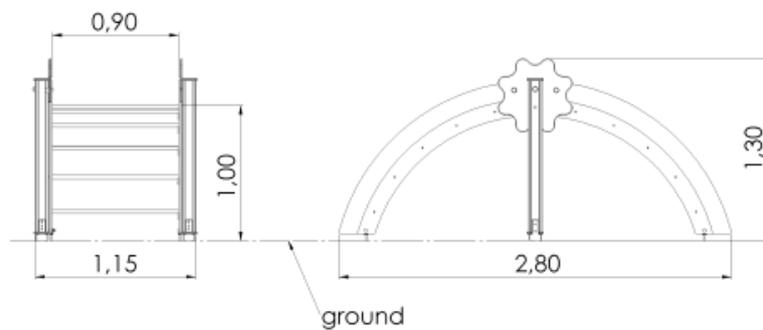
2.79 m



1.3 m



Critical fall height (CFH)  
A1: CFH 1,0m - 21,17m<sup>2</sup>  
Rubber surface area - 21,17m<sup>2</sup>  
Total area: 21,17m<sup>2</sup>



## Technical information

Safety area width	4.16 m
Safety area length	5.79 m
Width of structure	1.16 m
Length of structure	2.79 m
Height of structure	1.3 m
Max. fall height	1 m
Recommended age of children	2+
For simultaneous use by several children	2-4

## Product consists of

Posts	2 pcs Laminated wood
Panels/Plates	4 pcs HDPE plastic
Tubes	11 pcs Galvanized and powder coated steel

## Installation info

Installers	2
Installation time	6 h
Volume of concrete	8 bags (25kg)
Package dimensions	1,5x0,9x0,4m
Package weight	95 kg

The product needs a safety surface

Climbing equipment helps develop dexterity and balance and improves physical fitness. Climbing frame RAINBOW offers a chance for smaller kids to put their skills to the test. For added safety, the edges of the climbing frame are high, so the kids won't fall down and so they can hold it for extra support, if needed.