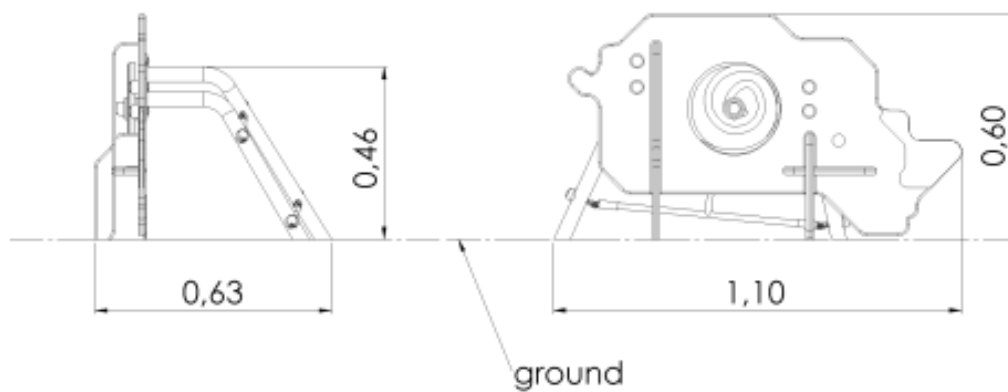
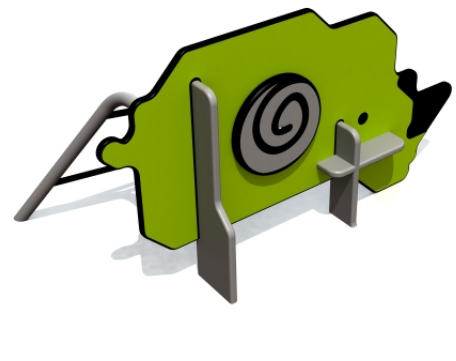
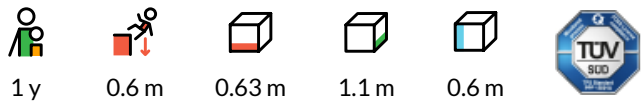


Product code: RS001 FORP MF

Climbing frame RHINO



Technical information

Safety area width	3.62 m
Safety area length	4.06 m
Width of structure	0.63 m
Length of structure	1.1 m
Height of structure	0.6 m
Max. fall height	0.6 m
Recommended age of children	1+
For simultaneous use by several children	2

Product consists of

Climbing nets	1 pcs 16 mm six-strand PES cover braided steel ropes
Activity panels	1 pcs HDPE plastic
Tubes	2 pcs Galvanized and powder coated steel

Installation info

Installers	2
Installation time	3 h

Volume of concrete	4 bags (25kg)
Package dimensions	1,2x0,8x0,8m