

Product code: RS112-2 FORP PE

Climbing frame VIVO M



4 y



2.1 m



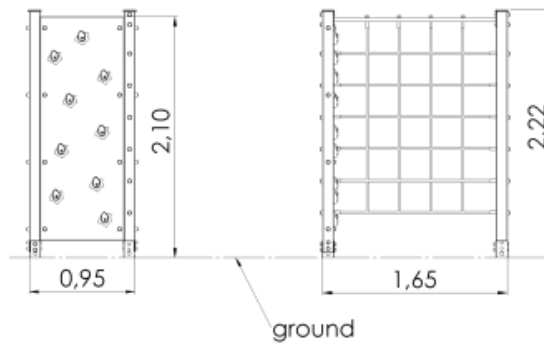
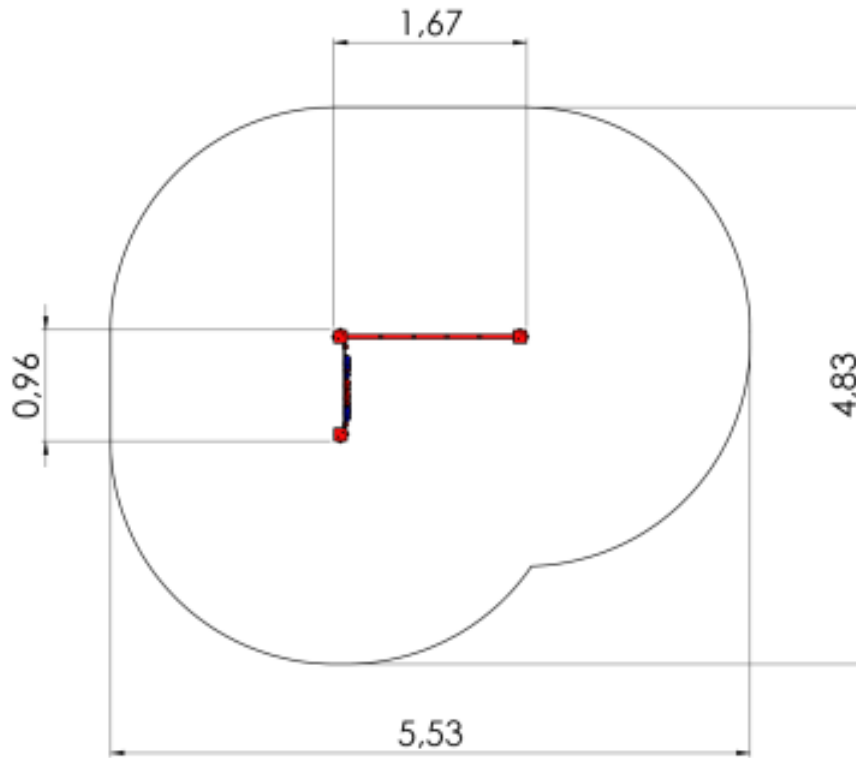
0.95 m



1.65 m



2.22 m



Technical information

Safety area width	4.83 m
Safety area length	5.53 m
Width of structure	0.95 m
Length of structure	1.65 m
Height of structure	2.22 m
Max. fall height	2.1 m
Recommended age of children	4+
For simultaneous use by several children	2

Installation info

Installers	2
Installation time	2.5 h
Volume of concrete	6 bags (25kg)
Package dimensions	2,2x0,9x0,4m

Product consists of

Climbing walls	1 pcs HDPE plastic
Climbing nets	1 pcs 16 mm six-strand PES cover braided steel ropes
Posts	3 pcs Laminated wood
Tubes	1 pcs Galvanized and powder coated steel

The product's painted rectangular posts made of laminated timber are concreted to into the ground using hot-galvanized metal U-fittings.

Kids enjoy climbing above all else. This two-part climbing frame VIVO M consists of a rock climbing wall and a climbing net.