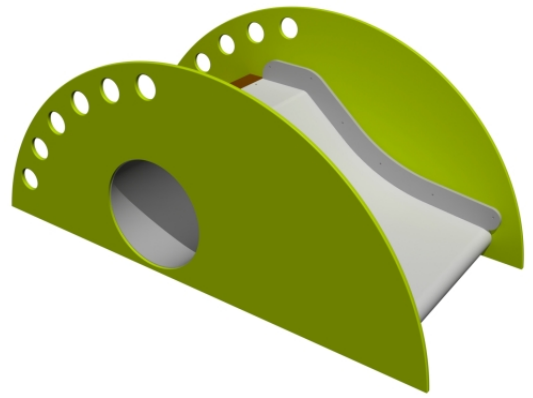


Product code: LM020-2RW FORP PE

Slide SHELL round (wide), HDPE



1 y



0.55 m



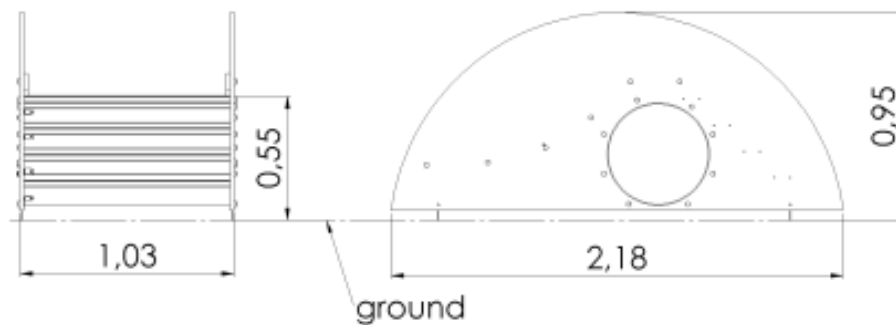
1.03 m



2.18 m



0.95 m



Technical information

Width of structure	1.03 m
Length of structure	2.18 m
Height of structure	0.95 m
Max. fall height	0.55 m
Recommended age of children	1+
For simultaneous use by several children	1+

Product consists of

Slides	1 pcs with a height 0.55 m Stainless-steel, HDPE plastic sides
Tunnels	1 pcs Plastic
Stairs with handrails	1 pcs Plastic covered laminated wood

Installation info

Installers	2
Installation time	3 h
Volume of concrete	4 bags (25kg)

Freestanding toddler slide with a wide chute. Small stairs lead up to the slide, beneath it is a crawl tunnel.