

Product code: LM231 AUT PE

Play centre CARL



5 y



2.95 m



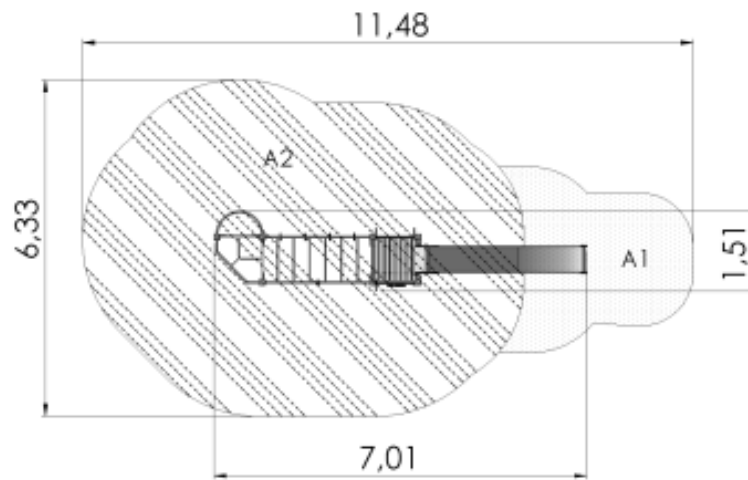
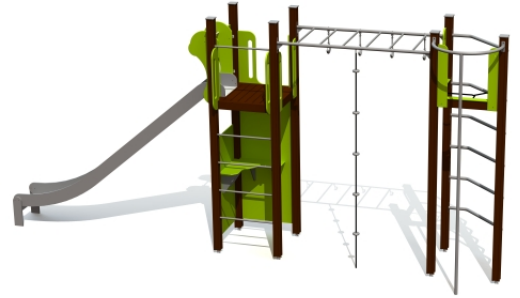
1.51 m



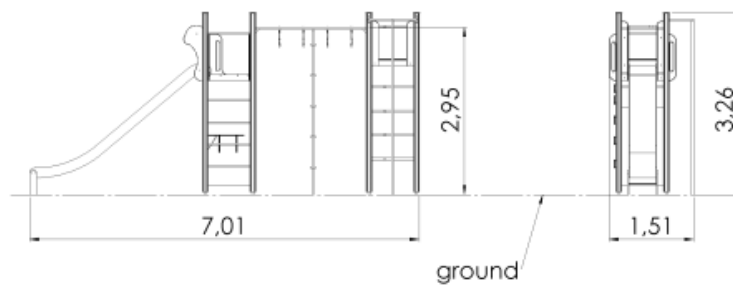
7.01 m



3.26 m



Critical fall height (CFH)
A1: CFH 1,0m - 8,78m²
A2: CFH 2,95m - 42,13m²
Rubber surface area - 50,91m²
Total area: 50,91m²



Technical information

Safety area width	6.33 m
Safety area length	11.48 m
Width of structure	1.51 m
Length of structure	7.01 m
Height of structure	3.26 m
Max. fall height	2.95 m
Recommended age of children	5+
For simultaneous use by several children	4-8

Product consists of

Platforms	1 pcs with a height 2.15 m Laminated wood
Slides	1 pcs with a height 2.15 m Stainless-steel, HDPE plastic sides
Climbing walls	1 pcs HDPE plastic
Climbing nets	1 pcs 16 mm six-strand PES cover braided steel ropes
Ladders	1 pcs Galvanized and powder-coated steel
Fireman poles	1 pcs Galvanized and powder-coated steel
Play corners	1 pcs Plastic and wood
Panels/Plates	1 pcs HDPE plastic
Grips for hands and/ or feet	9 pcs HDPE plastic
Tubes	12 pcs Galvanized and powder coated steel

Installation info

Installers	2
Installation time	8 h
Volume of concrete	20 bags (25kg)
Package dimensions	3,8x1,0x0,8m

The product needs a safety surface

A play centre with two platforms (one of which is a net platform), a slide and a horizontal ladder. The platforms can be accessed via an assortment of ladders and a rock climbing wall. The horizontal ladder connecting the platforms offers a challenge to move between the two platforms without stepping down, or to climb up to it via a climbing rope. A slide and a fireman pole offer excellent sliding opportunities.