

Product code: LM231-1 AUT PE

# Play centre CARLOS



5 y



2.92 m



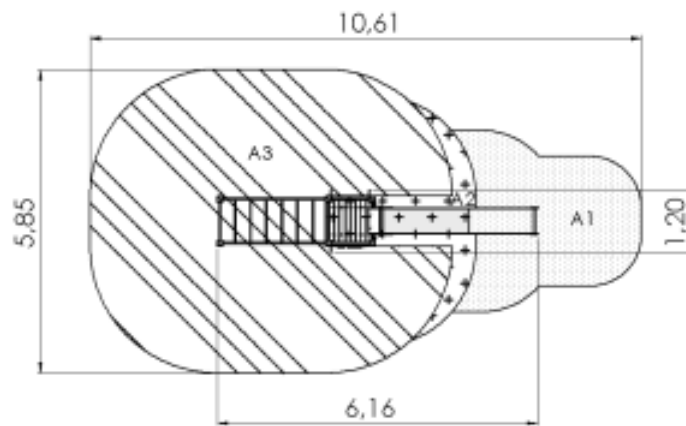
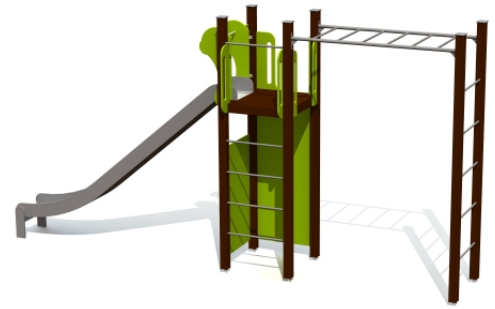
1.2 m



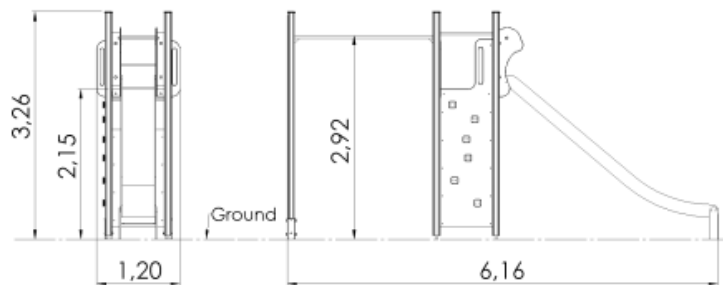
6.16 m



3.26 m



Critical fall height (CFH)  
A1: CFH 1,0m - 6,76m<sup>2</sup>  
A2: CFH 2,15m - 4,1m<sup>2</sup>  
A3: CFH 2,915m - 33,3m<sup>2</sup>  
Rubber surface area - m<sup>2</sup>  
Total area: 46,18m<sup>2</sup>



## Technical information

Safety area width	5.97 m
Safety area length	9.63 m
Width of structure	1.2 m
Length of structure	6.16 m
Height of structure	3.26 m
Max. fall height	2.92 m
Recommended age of children	5+
For simultaneous use by several children	3-6

## Product consists of

Platforms	1 pcs with a height 2.15 m Laminated wood
Slides	1 pcs with a height 2.15 m Stainless-steel, HDPE plastic sides
Climbing walls	1 pcs HDPE plastic
Ladders	1 pcs Galvanized and powder-coated steel
Posts	6 pcs Laminated wood
Panels/Plates	1 pcs HDPE plastic
Tubes	11 pcs Galvanized and powder coated steel

## Installation info

Installers	2
Installation time	6 h
Volume of concrete	20 bags (25kg)
Package dimensions	3,8x1,0x0,6

The product needs a safety surface

A play centre with a platform, a slide and a horizontal ladder. The platform can be accessed via the vertical ladder or the horizontal ladder, which offers a challenge to climb up to the platform and slide without stepping down.