

Product code: LM228-1 AUT PE

Play Centre FELICIA



1 y



1.55 m



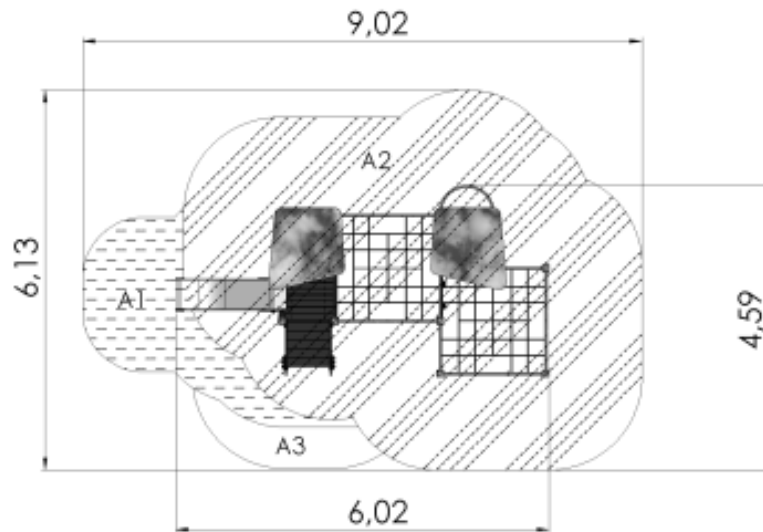
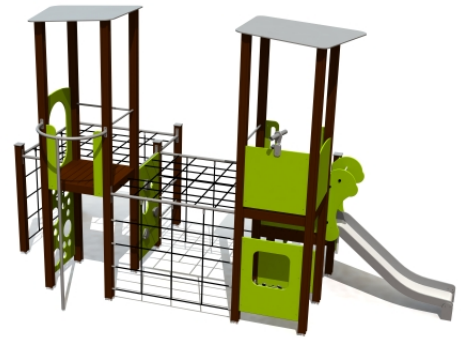
4.59 m



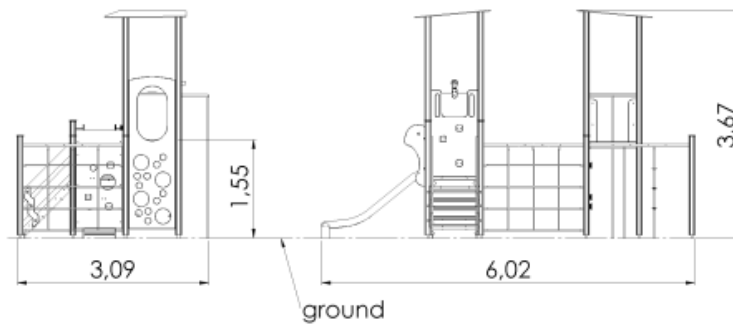
6.02 m



3.67 m



Critical fall height (CFH)
A1: CFH 1,0m - 5,23m²
A2: CFH 1,55m - 35,81m²
A3: CFH 0,6m - 1,79m²
Rubber surface area - 41,04m²
Total area: 42,83m²



Technical information

Safety area width	6.13 m
Safety area length	9.02 m
Width of structure	4.59 m
Length of structure	6.02 m
Height of structure	3.67 m
Max. fall height	1.55 m
Recommended age of children	1+
For simultaneous use by several children	6-12

Product consists of

Platforms	2 pcs with a height 1.55 m Laminated wood
Platforms	1 pcs with a height 0.95 m Laminated wood
Roofs	2 pcs HDPE plastic
Slides	1 pcs with a height 0.95 m Stainless-steel, HDPE plastic sides
Climbing walls	3 pcs HDPE plastic
Climbing nets	5 pcs 16 mm six-strand PES cover braided steel ropes
Stairs with handrails	1 pcs Laminated wood
Fireman poles	1 pcs Galvanized and powder-coated steel
Play corners	1 pcs Plastic and wood
Activity panels	1 pcs HDPE plastic
Posts	14 pcs Laminated wood
Panels/Plates	3 pcs HDPE plastic
Grips for hands and/ or feet	4 pcs HDPE plastic
Tubes	15 pcs Galvanized and powder coated steel

Installation info

Installers	2
Installation time	16 h
Volume of concrete	31 bags (25kg)
Package dimensions	3,6x1,1x1,6m

The product needs a safety surface