

Product code: LM225-2 AUT PE

Play Centre HECTOR



4 y



1.92 m



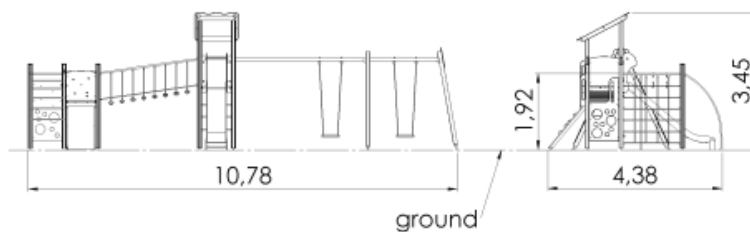
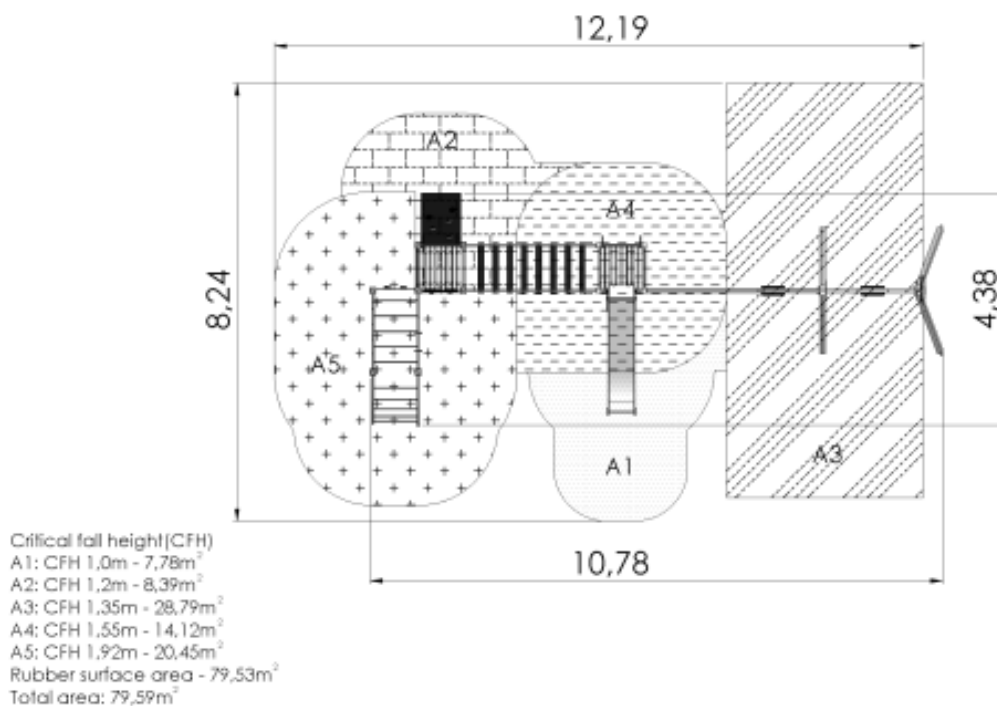
4.38 m



10.78 m



3.45 m



Technical information

Safety area width	8.24 m
Safety area length	12.19 m
Width of structure	4.38 m
Length of structure	10.78 m
Height of structure	3.45 m
Max. fall height	1.92 m
Recommended age of children	4+
For simultaneous use by several children	4-8

Product consists of

Platforms	1 pcs with a height 1.55 m Laminated wood
Platforms	1 pcs with a height 1.2 m Laminated wood
Roofs	1 pcs HDPE plastic
Slides	1 pcs with a height 1.55 m Stainless-steel, HDPE plastic sides
Climbing walls	2 pcs HDPE plastic
Climbing nets	1 pcs 16 mm six-strand PES cover braided steel ropes
Ladders	2 pcs Galvanized and powder-coated steel
Bridges	1 pcs
Slopes	1 pcs Plywood
Activity panels	1 pcs HDPE plastic
Posts	15 pcs Laminated wood
Beams	2 pcs
Panels/Plates	2 pcs HDPE plastic
Grips for hands and/ or feet	7 pcs HDPE plastic
Tubes	8 pcs Galvanized and powder coated steel

Installation info

Installers	2
Installation time	12 h
Volume of concrete	30 bags (25kg)
Package dimensions	3,3x1,0x1,5m

A versatile play centre with two platforms, a slide and two swing sets. A ladder and a rock climbing slope offer a way up to the platforms, a slide offers a way down from the higher platform. The platforms are connected by a balance bridge with moving steps. A strong metal beam is attached to the play centre, which holds two aluminium reinforced rubber swing seats (swing sets KKK2 are included in the price of this product). An adjoined climbing complex of several net walls, a horizontal ladder, a rock climbing wall and an arched ladder help develop dexterity and climbing skills. The side panels of the play centre can be switched for various activity walls or thematic printed panels (animals, birds, fish, trees, berries, etc.). The design of the panels will be finalised with the client during ordering.