

Product code: LM218 AUT PE

# Play Centre INGRID



4 y



1.55 m



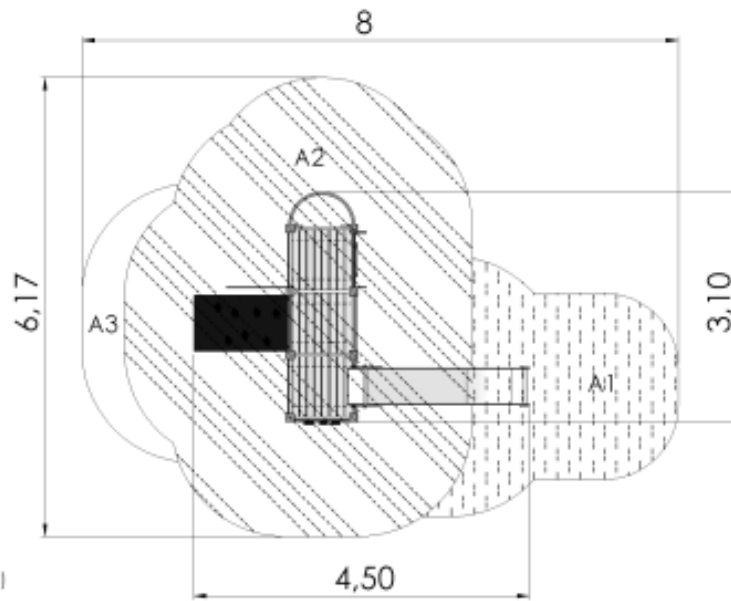
3.1 m



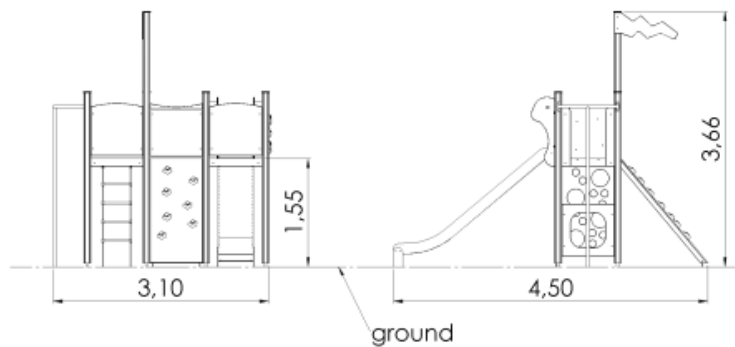
4.5 m



3.66 m



Critical fall height (CFH)  
A1: CFH 1,0m - 7,24m<sup>2</sup>  
A2: CFH 1,55m - 23,36m<sup>2</sup>  
A3: CFH 0,6m - 2,02m<sup>2</sup>  
Rubber surface area - 30,6m<sup>2</sup>  
Total area: 32,62m<sup>2</sup>



## Technical information

|  |        |
|--|--------|
| Safety area width                        | 6.17 m |
| Safety area length                       | 8 m    |
| Width of structure                       | 3.1 m  |
| Length of structure                      | 4.5 m  |
| Height of structure                      | 3.66 m |
| Max. fall height                         | 1.55 m |
| Recommended age of children              | 4+     |
| For simultaneous use by several children | 5-10   |

## Product consists of

|                |   |
|----------------|---|
| Platforms      | 3 pcs with a height 1.55 m<br>Laminated wood                      |
| Slides         | 1 pcs with a height 1.55 m<br>Stainless-steel, HDPE plastic sides |
| Climbing walls | 1 pcs<br>HDPE plastic   |
| Slopes         | 1 pcs<br>Plywood  |
| Fireman poles  | 1 pcs<br>Galvanized and powder-coated steel                       |
| Posts          | 8 pcs<br>Laminated wood   |
| Panels/Plates  | 5 pcs<br>HDPE plastic   |
| Tubes          | 3 pcs<br>Galvanized and powder coated steel                       |

## Installation info

|                    |                |
|--------------------|----------------|
| Installers         | 2              |
| Installation time  | 10 h           |
| Volume of concrete | 18 bags (25kg) |
| Package dimensions | 3,6x1,0x1,2m   |
| Package weight     | 308 kg         |

The product needs a safety surface

A play centre with a long platform bridge, accessed via a rope ladder or a rock climbing slope. A slide and a fireman pole offer a way for sliding down. The side panels of the play centre can be switched for various activity walls or thematic printed panels (animals, birds, fish, trees, berries, etc.). The design of the panels will be finalised with the client during ordering.