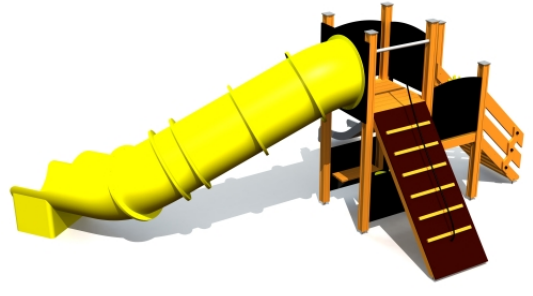


Product code: LM101 AUT PE

Play Centre MARCUS



1 y



1.55 m



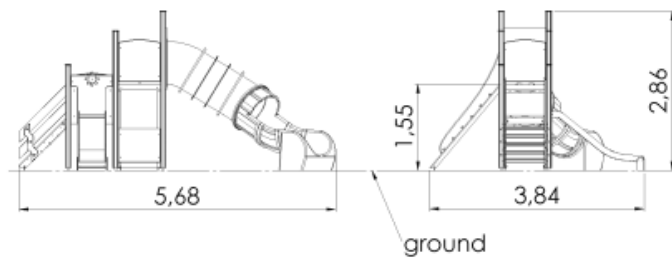
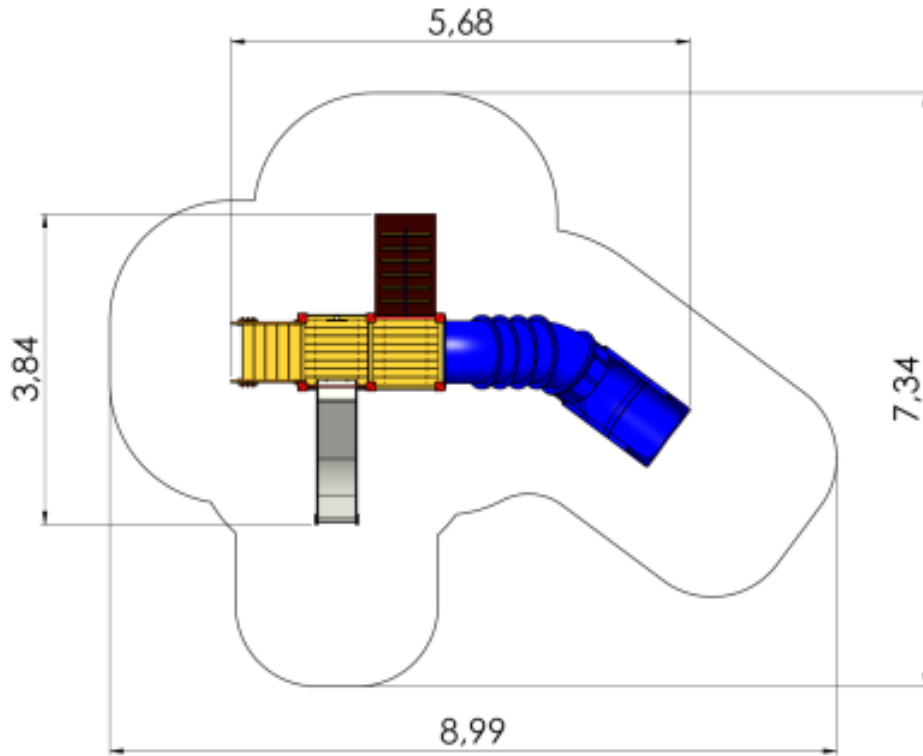
3.84 m



5.68 m



2.86 m



Technical information

| | |
|--|--------|
| Safety area width | 7.34 m |
| Safety area length | 8.99 m |
| Width of structure | 3.84 m |
| Length of structure | 5.68 m |
| Height of structure | 2.86 m |
| Max. fall height | 1.55 m |
| Recommended age of children | 1+ |
| For simultaneous use by several children | 4-8 |

Product consists of

| | |
|-----------------------|---|
| Platforms | 1 pcs with a height 0.95 m Laminated wood |
| Platforms | 1 pcs with a height 1.55 m Laminated wood |
| Slides | 1 pcs with a height 0.95 m Stainless-steel, HDPE plastic sides |
| Tunnel slides | 1 pcs with a height 1.55 m Plastic |
| Slopes | 1 pcs Plywood |
| Stairs with handrails | 1 pcs Laminated wood |
| Play corners | 1 pcs Plastic and wood |
| Activity panels | 1 pcs HDPE plastic |
| Posts | 6 pcs Laminated wood |
| Panels/Plates | 3 pcs HDPE plastic |
| Tubes | 2 pcs Galvanized and powder coated steel |

Installation info

| | |
|--------------------|--------------------------------|
| Installers | 2 |
| Installation time | 9 h |
| Volume of concrete | 16 bags (25kg) |
| Package dimensions | 2,9x1,0x1,2m / 4,3x1,3x1,5m |
| Package weight | 450 kg |

The product's painted profile posts made of laminated timber are concreted into the ground using hot-galvanized metal tubular fittings.

The product needs a safety surface

A play centre with two platforms, two slides, stairs with handrails and a ramp with a rope. Hidden beneath the centre is a fun play corner with a bench, which can be fitted with either kitchen or car dashboard elements. A tunnel slide lets kids dash down from the higher platform. The side panels of the play centre can be switched for various activity walls or thematic printed panels (animals, birds, fish, trees, berries, etc.). The design of the panels will be finalised with the client during ordering.