

Product code: LM311-1 AUT PE

Play Centre MARGOT



1 y



0.95 m



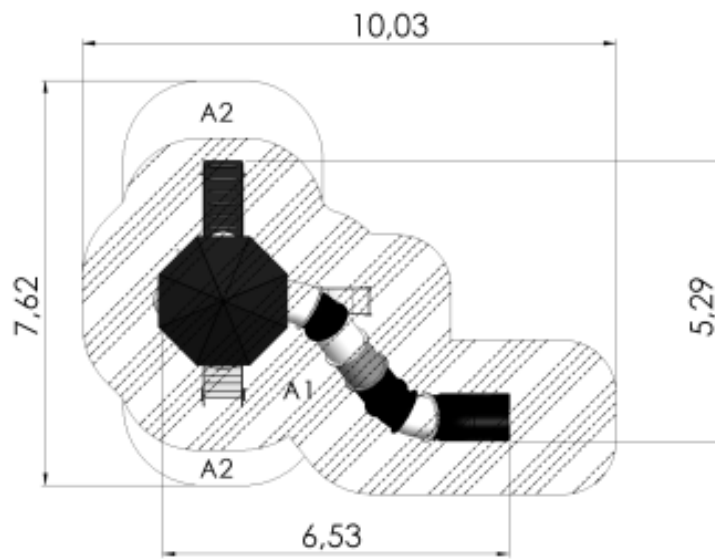
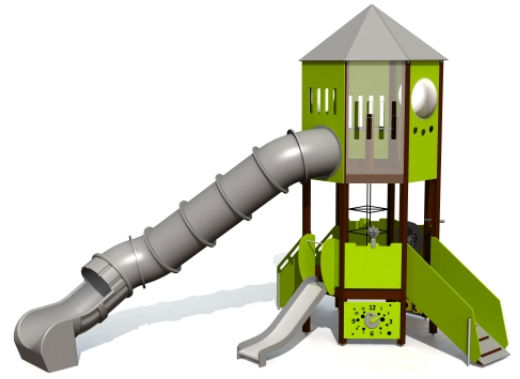
5.29 m



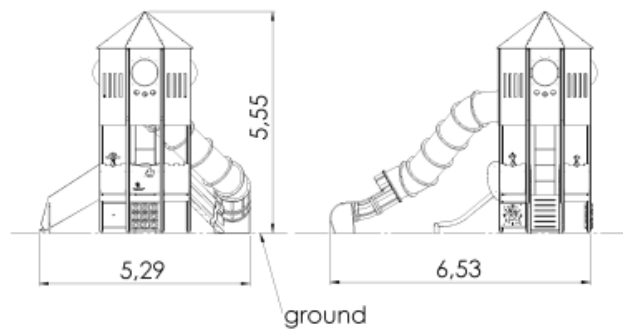
6.53 m



5.55 m



Critical fall height(CFH)
A1: CFH 0,95m - 43,23m²
A2: CFH 0,6m - 6,05m²
Rubber surface area - 43,23m²
Total area: 49,28m²



Technical information

Safety area width	7.62 m
Safety area length	10.03 m
Width of structure	5.29 m
Length of structure	6.53 m
Height of structure	5.55 m
Max. fall height	0.95 m
Recommended age of children	1+
For simultaneous use by several children	8-16

Product consists of

Platforms	1 pcs with a height 2.85 m Laminated wood
Platforms	1 pcs with a height 0.95 m Laminated wood
Roofs	1 pcs HDPE plastic
Slides	1 pcs with a height 0.95 m Stainless-steel, HDPE plastic sides
Tunnel slides	1 pcs with a height 2.85 m Plastic
Climbing nets	1 pcs 16 mm six-strand PES cover braided steel ropes
Slopes	1 pcs Plywood
Stairs with handrails	1 pcs Laminated wood
Activity panels	8 pcs HDPE plastic
Posts	8 pcs Laminated wood
Panels/Plates	9 pcs HDPE plastic
Tubes	1 pcs Galvanized and powder coated steel

Installation info

Installers	2
Installation time	32 h
Volume of concrete	23 bags (25kg)
Package dimensions	2,9x2,3x1,4m / 2,7x1,3x1,8m

This two-tiered play centre with a roofed castle tower is suitable for children of various age groups. Stairs with handrails and a ramp lead to the lower platform, a sturdy slide offers a way down. The platform is equipped with Tic-Tac-Toe game, moveable activity panels, binoculars and a clock, which helps to learn to tell time. The higher tier, edged with portholes and slits openings, can be reached by climbing a net element, which helps develop kids' dexterity and strength. A tunnel slide and a climbing net offer a way down.