

Product code: LM240 AUT PE

Play Centre RENATA



4 y



2.15 m



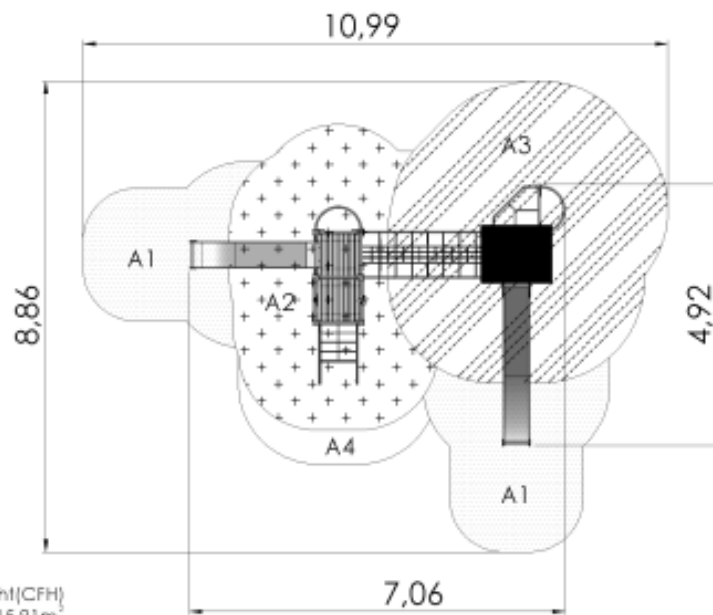
4.92 m



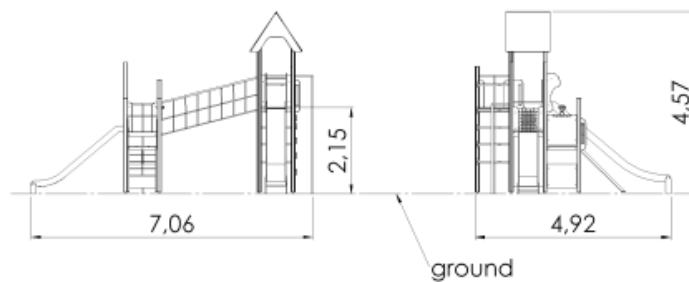
7.06 m



4.57 m



Critical fall height (CFH)
A1: CFH 1,0m - 15,91m²
A2: CFH 1,55m - 16,54m²
A3: CFH 2,15m - 23,91m²
A4: CFH 0,6m - 2,26m²
Rubber surface area - 56,36m²
Total area: 58,62m²



Technical information

Safety area width	8.86 m
Safety area length	10.99 m
Width of structure	4.92 m
Length of structure	7.06 m
Height of structure	4.57 m
Max. fall height	2.15 m
Recommended age of children	4+
For simultaneous use by several children	6-12

Product consists of

Platforms	1 pcs with a height 2.15 m Laminated wood
Platforms	1 pcs with a height 1.55 m Laminated wood
Platforms	1 pcs with a height 1.2 m Laminated wood
Roofs	1 pcs HDPE plastic
Slides	1 pcs with a height 2.15 m Stainless-steel, HDPE plastic sides
Slides	1 pcs with a height 1.55 m Stainless-steel, HDPE plastic sides
Climbing walls	1 pcs HDPE plastic
Climbing nets	1 pcs 16 mm six-strand PES cover braided steel ropes
Bridges	1 pcs
Fireman poles	2 pcs Galvanized and powder-coated steel
Play corners	1 pcs Plastic and wood
Activity panels	2 pcs HDPE plastic
Posts	10 pcs Laminated wood
Panels/Plates	3 pcs HDPE plastic
Tubes	11 pcs Galvanized and powder coated steel

Installation info

Volume of concrete	23 bags (25kg)
Package dimensions	3,8x1,0x1,3m

The product needs a safety surface

A play centre with three platforms of different heights, two slides and climbing elements. A net climbing slope leads to the lowest platform where a step takes kids to the second platform. There a slide offers a path down and a net bridge with handrails offers a path up, to the highest platform, where a second slide and a fireman's pole lead down again. The highest platform can also be reached via a vertical ladder with arched rungs or via a rock climbing wall. A moving helm and binoculars, as well as a fun play corner with a bench, which can be equipped with either kitchen or car dashboard elements, satisfy all role playing needs. The side panels of the play centre can be switched for various activity walls or thematic printed panels (animals, birds, fish, trees, berries, etc.). The design of the panels will be finalised with the client during ordering.

