

Product code: LM220-1 AUT PE

# Play Centre WILHELM



4 y



1.55 m



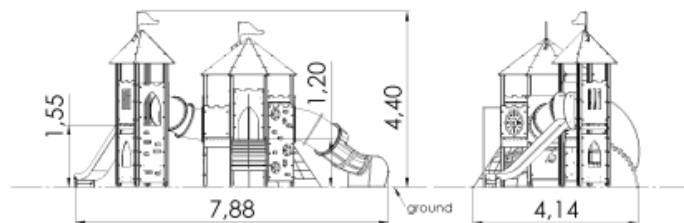
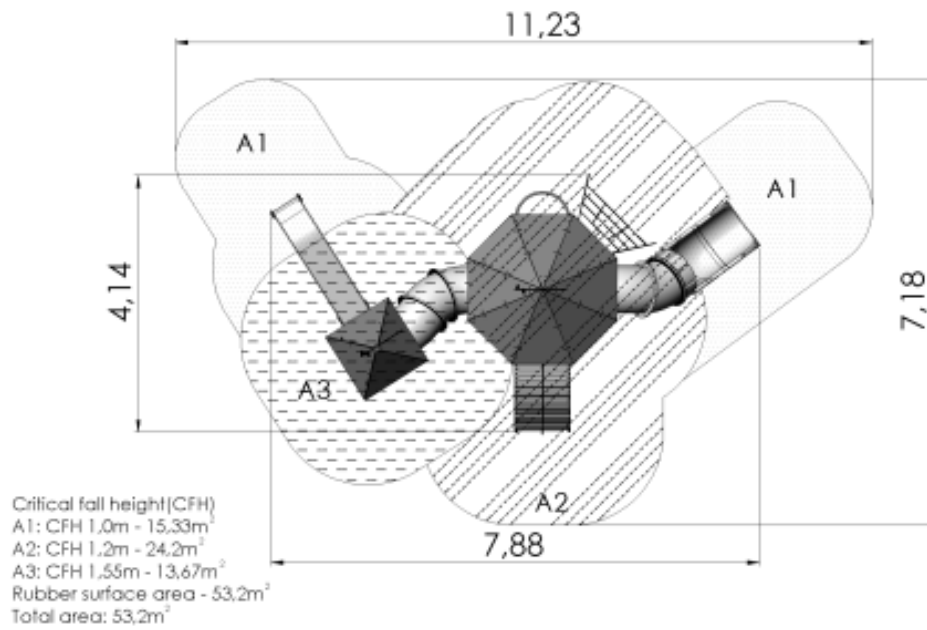
4.14 m



7.88 m



4.4 m



## Technical information

Safety area width	7.18 m
Safety area length	11.23 m
Width of structure	4.14 m
Length of structure	7.88 m
Height of structure	4.4 m
Max. fall height	1.55 m
Recommended age of children	4+
For simultaneous use by several children	8-16

## Product consists of

Platforms	1 pcs with a height 1.55 m Laminated wood
Platforms	1 pcs with a height 1.2 m Laminated wood
Roofs	2 pcs HDPE plastic
Slides	1 pcs with a height 1.55 m Stainless-steel, HDPE plastic sides
Tunnel slides	1 pcs with a height 1.2 m Plastic
Climbing walls	2 pcs HDPE plastic
Climbing nets	1 pcs 16 mm six-strand PES cover braided steel ropes
Bridges	1 pcs
Tunnels	1 pcs Plastic
Fireman poles	1 pcs Galvanized and powder-coated steel
Play corners	1 pcs Plastic and wood
Activity panels	3 pcs HDPE plastic
Posts	12 pcs Laminated wood
Panels/Plates	4 pcs HDPE plastic
Tubes	1 pcs Galvanized and powder coated steel

## Installation info

Installers	2
Installation time	14 h
Volume of concrete	26 bags (25kg)
Package dimensions	3,2x1,3x2,5m/3,5x1,3x1,8m

The product's painted profile posts made of laminated timber are concreted into the ground using hot-galvanized metal tubular fittings.

The product needs a safety surface

This castle-like play centre with its large octagonal tower with a roof encourages imaginative and active play. An arched ladder leads to the big platform, a crawl tunnel leads higher and a slide, a tunnel slide and a fireman's pole allow to dash down again. Rock climbing walls and climbing walls with holes, which adorn the sides of the tower and the turret, as well as a sloping net wall, which leads to the higher tower, provide an opportunity to learn climbing, balance and dexterity skills. Several activity panels and a Tic-Tac-Toe game, as well as a play corner with a bench, which can be fitted with either kitchen or a car dashboard elements, satisfy all role playing needs. The side panels of the play centre can be switched for various activity walls or thematic printed panels (animals, birds, fish, trees, berries, etc.). The design of the panels will be finalised with the client during ordering.