

Product code: RS123 FORP PE

Climbing frame MACACO



4 y



1.92 m



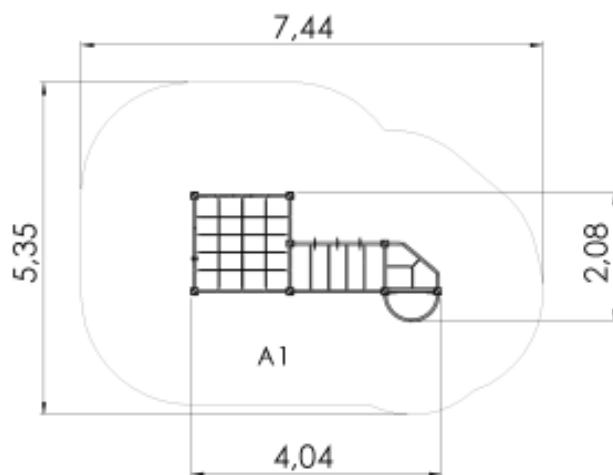
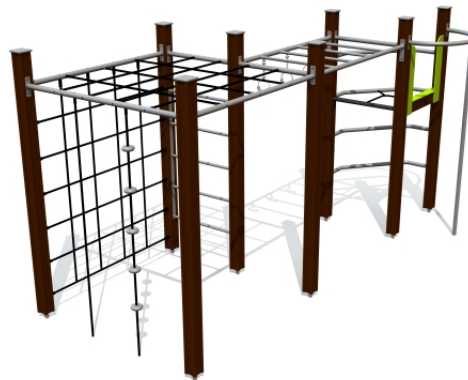
2.08 m



4.04 m



2.16 m



Critical fall height (CFH)
A1: CFH 1,92m - 32,75m²
Rubber surface area - 32,75m²
Total area: 32,75m²

Technical information

Safety area width	5.36 m
Safety area length	7.44 m
Width of structure	2.08 m
Length of structure	4.04 m
Height of structure	2.16 m
Max. fall height	1.92 m
Recommended age of children	4+
For simultaneous use by several children	4-8

Product consists of

Platforms	1 pcs with a height 1.35 m Plastic covered laminated wood
Climbing nets	3 pcs 16 mm six-strand PES cover braided steel ropes
Ladders	2 pcs Galvanized and powder-coated steel
Fireman poles	1 pcs Galvanized and powder-coated steel
Posts	8 pcs Laminated wood
Grips for hands and/ or feet	8 pcs HDPE plastic
Tubes	11 pcs Galvanized and powder coated steel

Installation info

Installers	2
Installation time	9 h
Volume of concrete	15 bags (25kg)
Package dimensions	2,4x1,0x1,0m
Package weight	300 kg

The product's painted profile posts made of laminated timber are concreted into the ground using hot-galvanized metal U-fittings.

The climbing frame MACACO offers various climbing opportunities and provides ladders, net walls and pipes. Gymnastics rings provide a great workout for arm-, chest- and shoulder muscles.