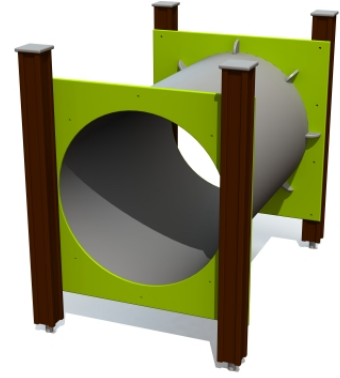


Product code: RS201 FORP PE

Tube FOXHOLE



1 y



0.25 m



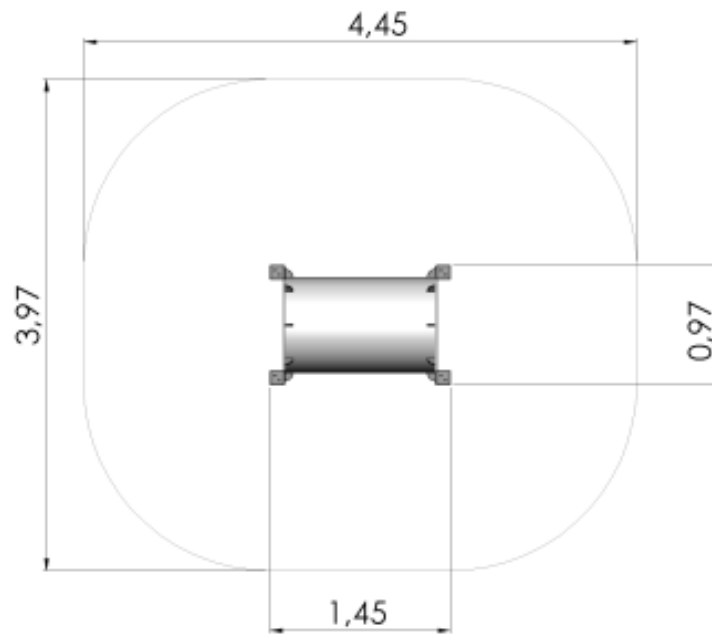
0.97 m



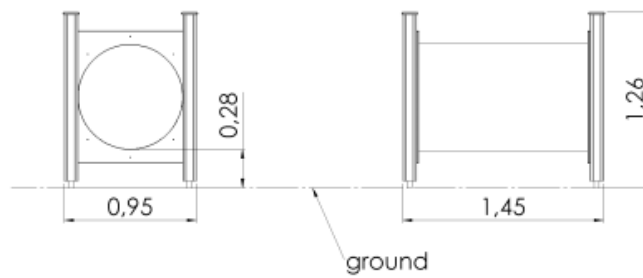
1.45 m



1.26 m



Total area: 15,72m²



Technical information

Safety area width	3.97 m
Safety area length	4.45 m
Width of structure	0.97 m
Length of structure	1.45 m
Height of structure	1.26 m
Max. fall height	0.25 m
Recommended age of children	1+
For simultaneous use by several children	1-4

Installation info

Installers	2
Installation time	2 h
Volume of concrete	4 bags (25kg)
Package dimensions	1,5x1,0x1,4m
Package weight	93 kg

Product consists of

Tunnels	1 pcs Plastic
Posts	4 pcs Laminated wood

The product's painted profile posts made of laminated timber are concreted into the ground using hot-galvanized metal tubular fittings.

The product needs a safety surface

Tube FOXHOLE is suitable for both smaller and bigger crawlers. Kids can safely crawl through the tunnel or use it to hide from rain, sun or company. Tubes can be joined to create a bigger tunnel.