

Product code: RS210 FORP PE

Climbing frame OCTOPUS



4 y



1.55 m



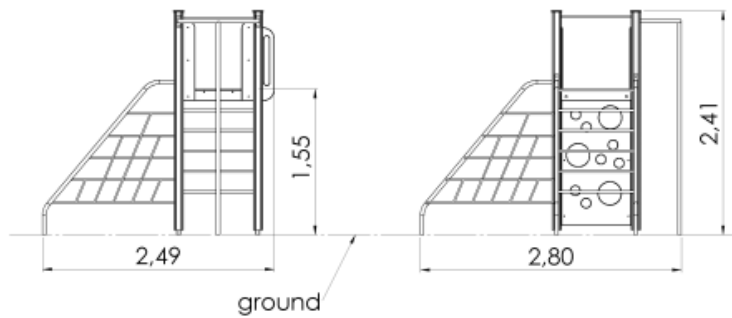
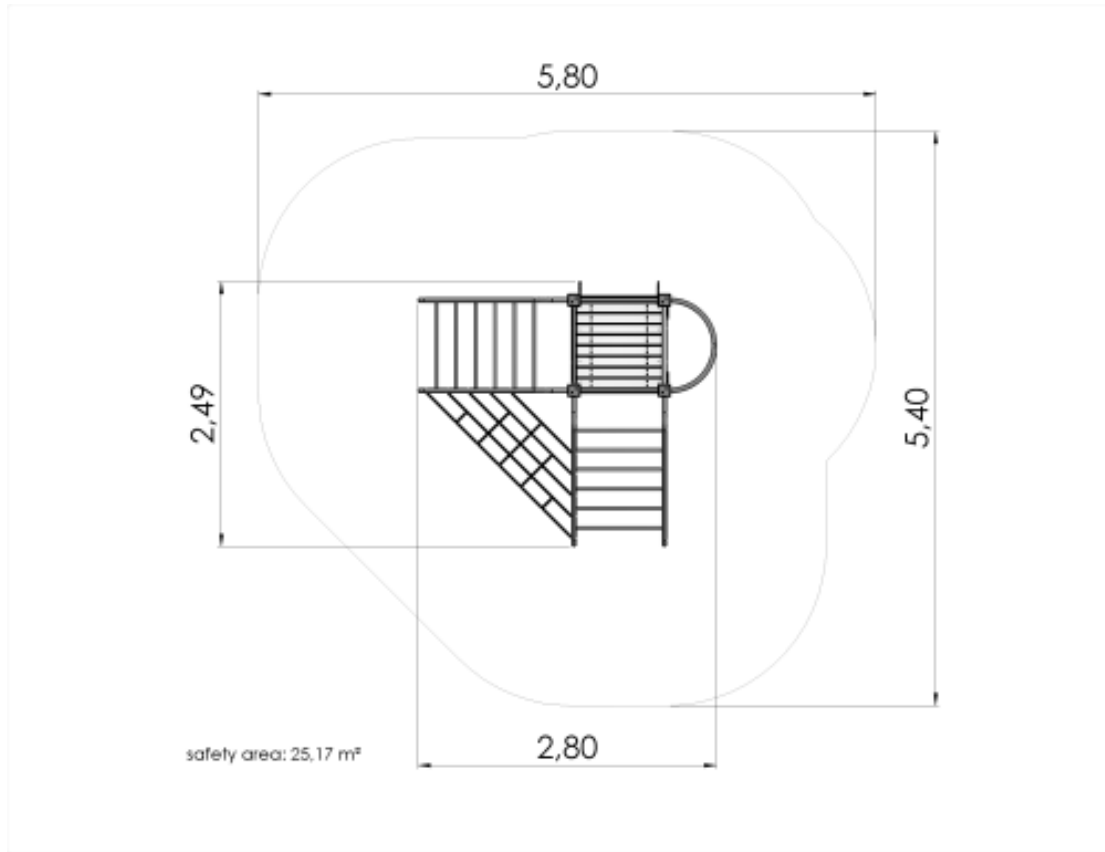
2.49 m



2.8 m



2.41 m



Technical information

Safety area width	5.4 m
Safety area length	5.8 m
Width of structure	2.49 m
Length of structure	2.8 m
Height of structure	2.41 m
Max. fall height	1.55 m
Recommended age of children	4+
For simultaneous use by several children	4-8

Product consists of


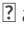
Platforms	1 pcs with a height 1.55 m Plastic covered laminated wood
Climbing walls	1 pcs HDPE plastic
Climbing nets	1 pcs 16 mm six-strand PES cover braided steel ropes
Ladders	2 pcs Galvanized and powder-coated steel
Fireman poles	1 pcs Galvanized and powder-coated steel
Posts	4 pcs Laminated wood
Tubes	3 pcs Galvanized and powder coated steel

Installation info

Installers	2
Installation time	6 h
Volume of concrete	11 bags (25kg)
Package dimensions	2,9x1,0x1,3m
Package weight	92 kg

The product's painted profile posts made of laminated timber are concreted into the ground using hot-galvanized metal tubular fittings.

The product needs a safety surface

Climbing frame OCTOPUS offers different climbing opportunities: kids can climb to the platform using a ladder, a climbing net or a  cheesewall  and then climb back down again. It helps kids develop dexterity and balance and improves their physical fitness.