

Product code: LM011 FORP MF

Slide DAN (1,55m)



1 y



0.24 m



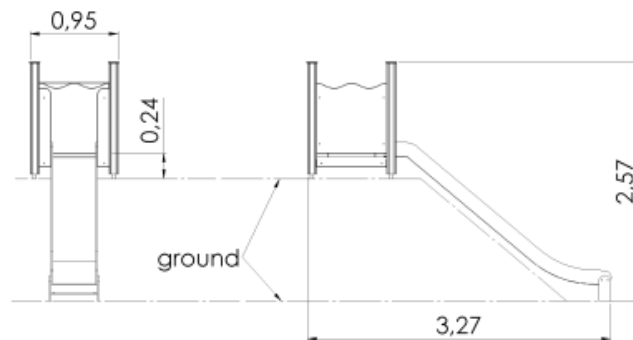
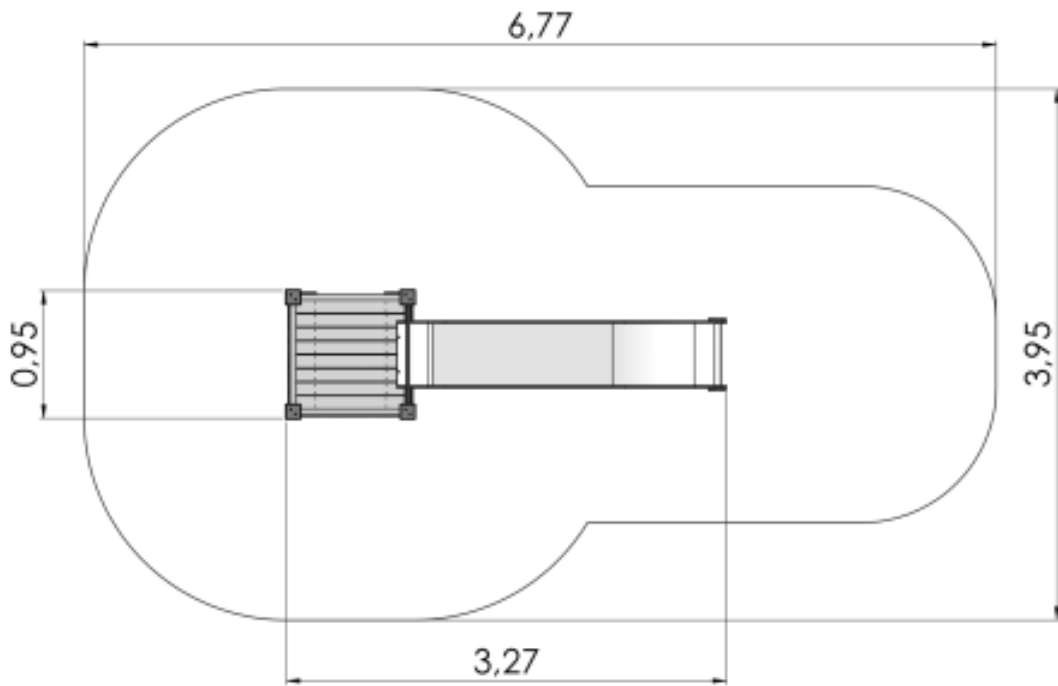
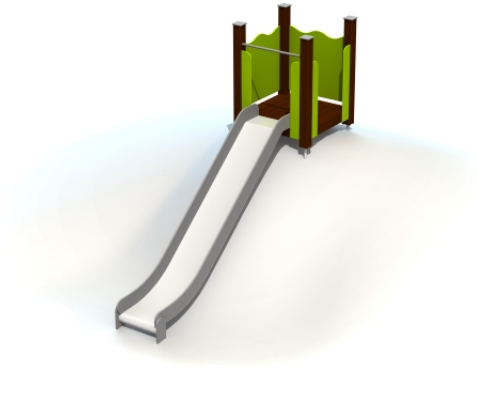
0.95 m



3.27 m



2.57 m



Technical information

Safety area width	3.95 m
Safety area length	6.77 m
Width of structure	0.95 m
Length of structure	3.27 m
Height of structure	2.57 m
Max. fall height	0.24 m
Recommended age of children	1+
For simultaneous use by several children	3-5

Installation info

Installers	2
Installation time	5 h
Volume of concrete	7 bags (25kg)
Package dimensions	2,9x1,0x0,8m
Package weight	85 kg

Product consists of

Platforms	1 pcs with a height 1.55 m Plastic covered laminated wood
Slides	1 pcs with a height 1.55 m Stainless-steel, HDPE plastic sides
Posts	4 pcs Powder coated aluminium
Panels/Plates	2 pcs HDPE plastic
Tubes	1 pcs Galvanized and powder coated steel

The product needs a safety surface

A 1.55 metre long slide with a platform, suitable for slopes of heights of 1.4 to 1.7 metres.