

Product code: LM011-1 FORP MF

Slide DEE (2,15m)



1 y



0.24 m



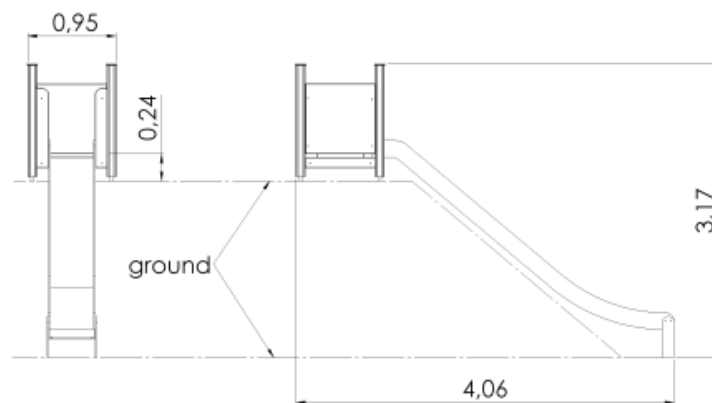
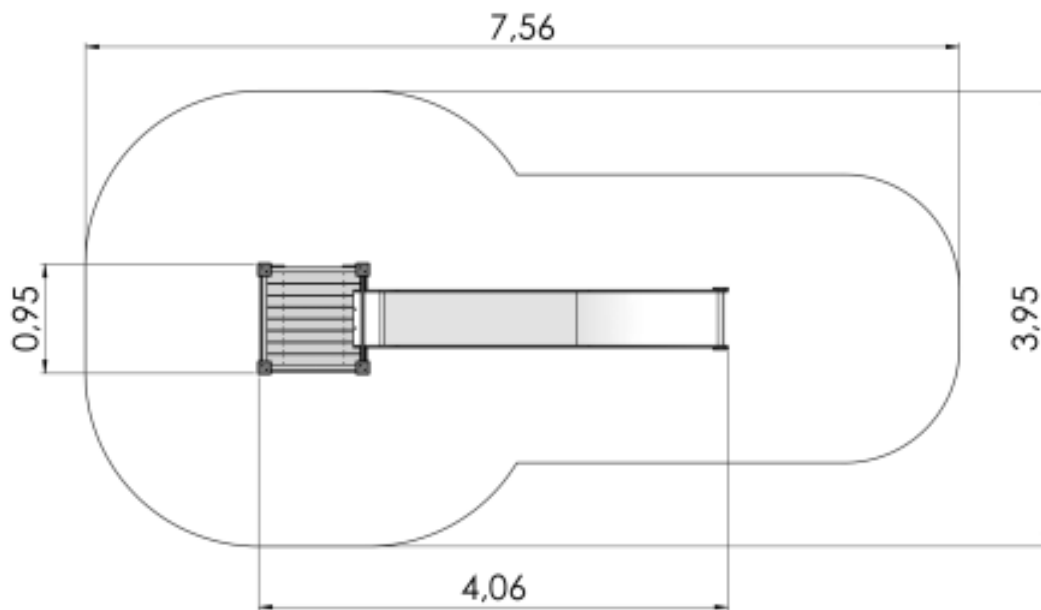
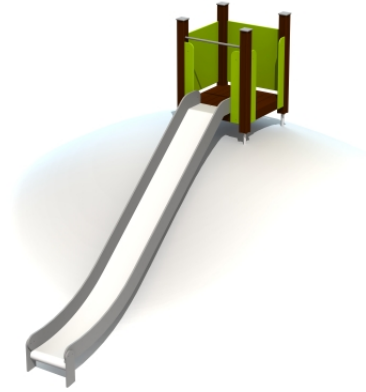
0.95 m



4.06 m



3.17 m



Technical information

Safety area width	3.95 m
Safety area length	7.56 m
Width of structure	0.95 m
Length of structure	4.06 m
Height of structure	3.17 m
Max. fall height	0.24 m
Recommended age of children	1+
For simultaneous use by several children	3-5

Installation info

Installers	2
Installation time	5 h
Volume of concrete	7 bags (25kg)
Package dimensions	3,8x1,0x0,6m

Product consists of

Platforms	1 pcs with a height 2.15 m Plastic covered laminated wood
Slides	1 pcs with a height 2.15 m Stainless-steel, HDPE plastic sides
Posts	4 pcs Powder coated aluminium
Panels/Plates	2 pcs HDPE plastic
Tubes	1 pcs Galvanized and powder coated steel

The product's painted profile posts made of laminated timber are concreted into the ground using hot-galvanized metal tubular fittings.

The product needs a safety surface

A 2.15 metre long slide with a platform, suitable for slopes.