

Product code: LM004 FORP MF

Slide MIA



1 y



0.95 m



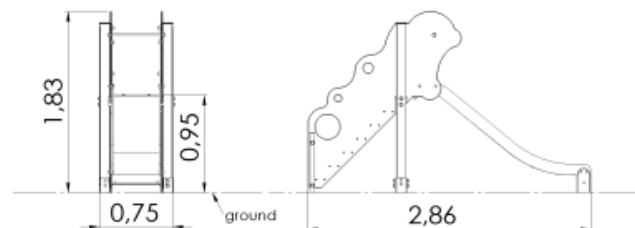
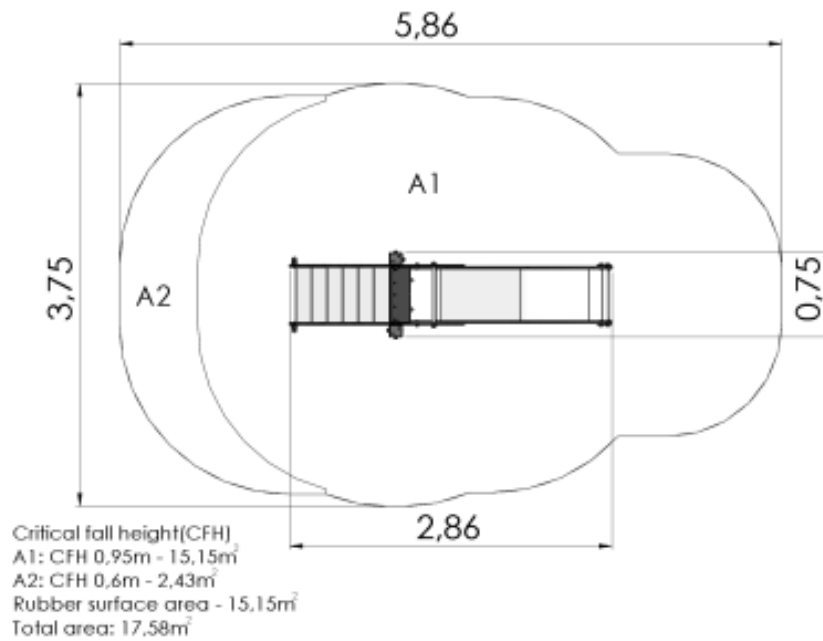
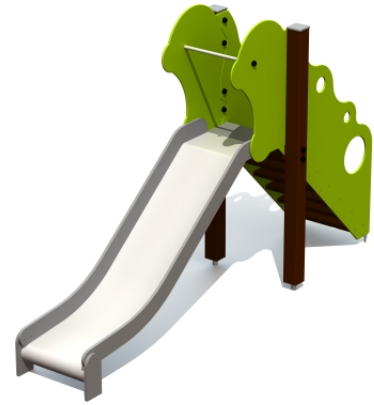
0.75 m



2.86 m



1.83 m



Technical information

Safety area width	3.75 m
Safety area length	5.86 m
Width of structure	0.75 m
Length of structure	2.86 m
Height of structure	1.83 m
Max. fall height	0.95 m
Recommended age of children	1+
For simultaneous use by several children	1-3

Installation info

Installers	2
Installation time	3.5 h
Volume of concrete	7 bags (25kg)
Package dimensions	2,2x0,8x0,8m
Package weight	103 kg

Product consists of

Slides	1 pcs with a height 0.95 m Stainless-steel, HDPE plastic sides
Stairs with handrails	1 pcs Plastic covered laminated wood
Posts	2 pcs Powder coated aluminium
Panels/Plates	2 pcs HDPE plastic
Tubes	1 pcs Galvanized and powder coated steel

A freestanding toddler slide.