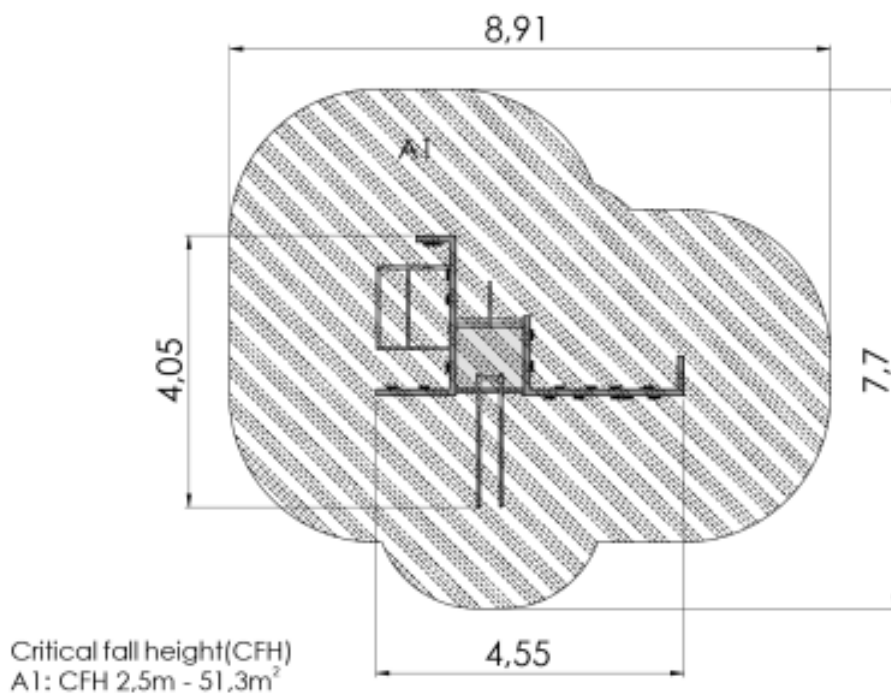
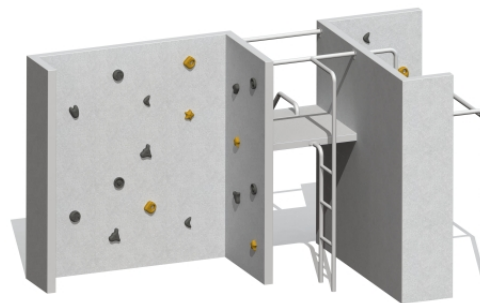
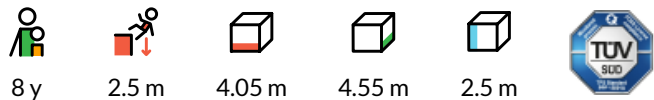


Product code: CON202

URBAN



Technical information

Safety area width	7.7 m
Safety area length	8.91 m
Width of structure	4.05 m
Length of structure	4.55 m
Height of structure	2.5 m
Max. fall height	2.5 m
Recommended age of children	8+
For simultaneous use by several children	1+

Product consists of

Platforms	1 pcs with a height 1.55 m
Railings	1 pcs with a height 1.55 m Stainless steel
Climbing walls	2 pcs
Ladders	1 pcs Galvanized and powder-coated steel
Fireman poles	1 pcs Galvanized and powder-coated steel

Installation info

Package dimensions	3,1x2,4x1,7m
Package weight	450 kg

Stainless steel tubes, strips, platforms and weatherproof textured wear-resistant plywood walls imitating concrete look – the strong look of the URBAN series products is created by high-quality materials that ensure resistance to weather and vandalism. The URBAN theme series can be assembled into a powerful town but each attraction is also challenging on their own. Materials
Edge profile: stainless steel

Inner frame: hot galvanised steel

Platforms: hot galvanised steel frame with stainless steel plating

Panels: weatherproof textured grey plywood with thick, wear-resistant phenolic coating and concrete imitation

Climbing stones: high quality polyresin with metal washer inserted

Tubes, ladders, parallel sliding bars: stainless steel

Fixings: stainless steel.