

# Specifications

**Model Number:** W346

**Interactive Water Effect:** Shall be ribbon-like solid stream jets spin around the shaft as it is rotated.

**Head:** High density molded foam on a stainless steel frame.

**Shaft:** Straight 6" type 304 stainless steel pipe with machined type 304 base plate.

**Handles:** Type 304 stainless steel.

**Joint:** Delrin®.

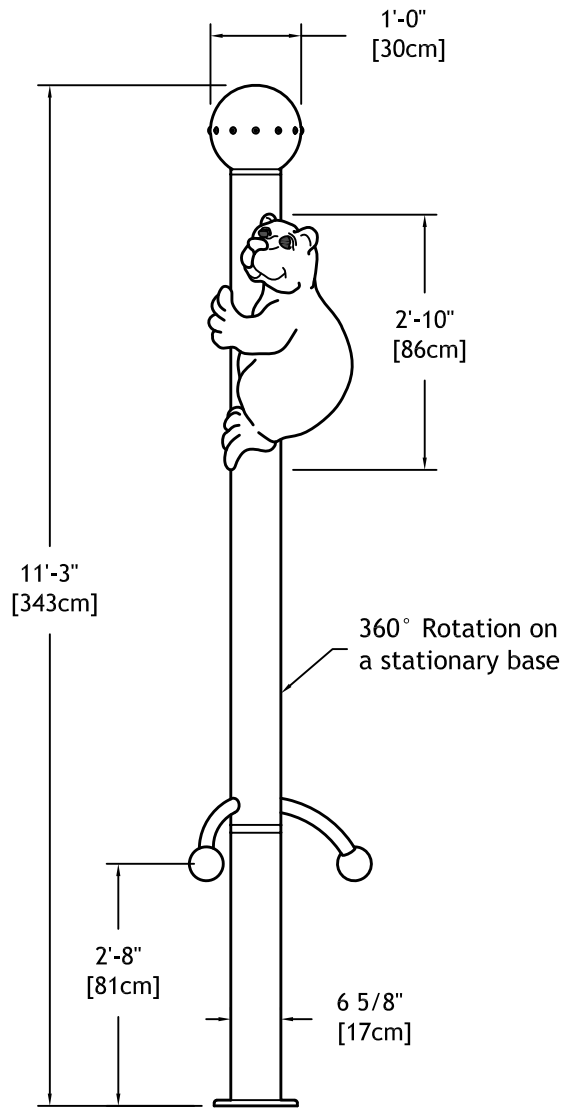
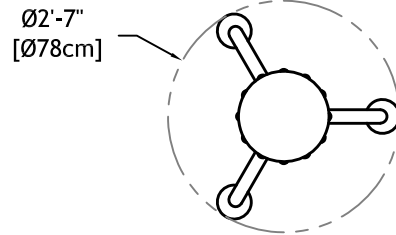
**Anchor Base:** Type 304 stainless steel machined to mate with shaft base plate with grounding connection and 3" FPT inlet. Supplied with 4, 3/8" x 12" x 2" 18/8 stainless steel anchor bolts with two leveling nuts and washers per bolt and wood pour template.

**Gasket:** 70 durometer EPDM o-ring.

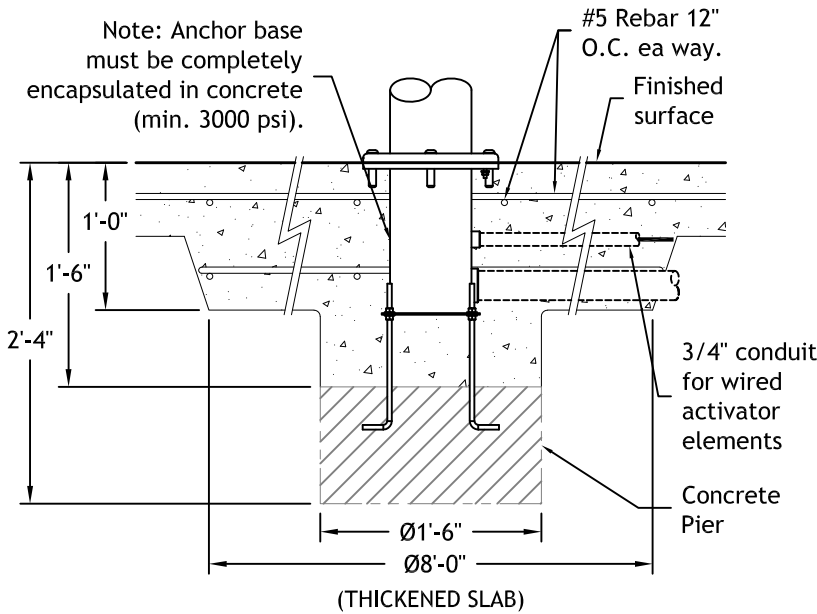
**Fasteners:** Tamper-resistant 18/8 stainless steel.

**Finish:** Textured elastomeric urethane with a UV and chlorine resistant sealer coat.

**Nozzles:** 12 stainless steel precision jets.



## Anchor Base



## Hydraulic Requirements

□ W346

GPM	psi
30-40	6



# Dizzy Bear Maypole™

W346